



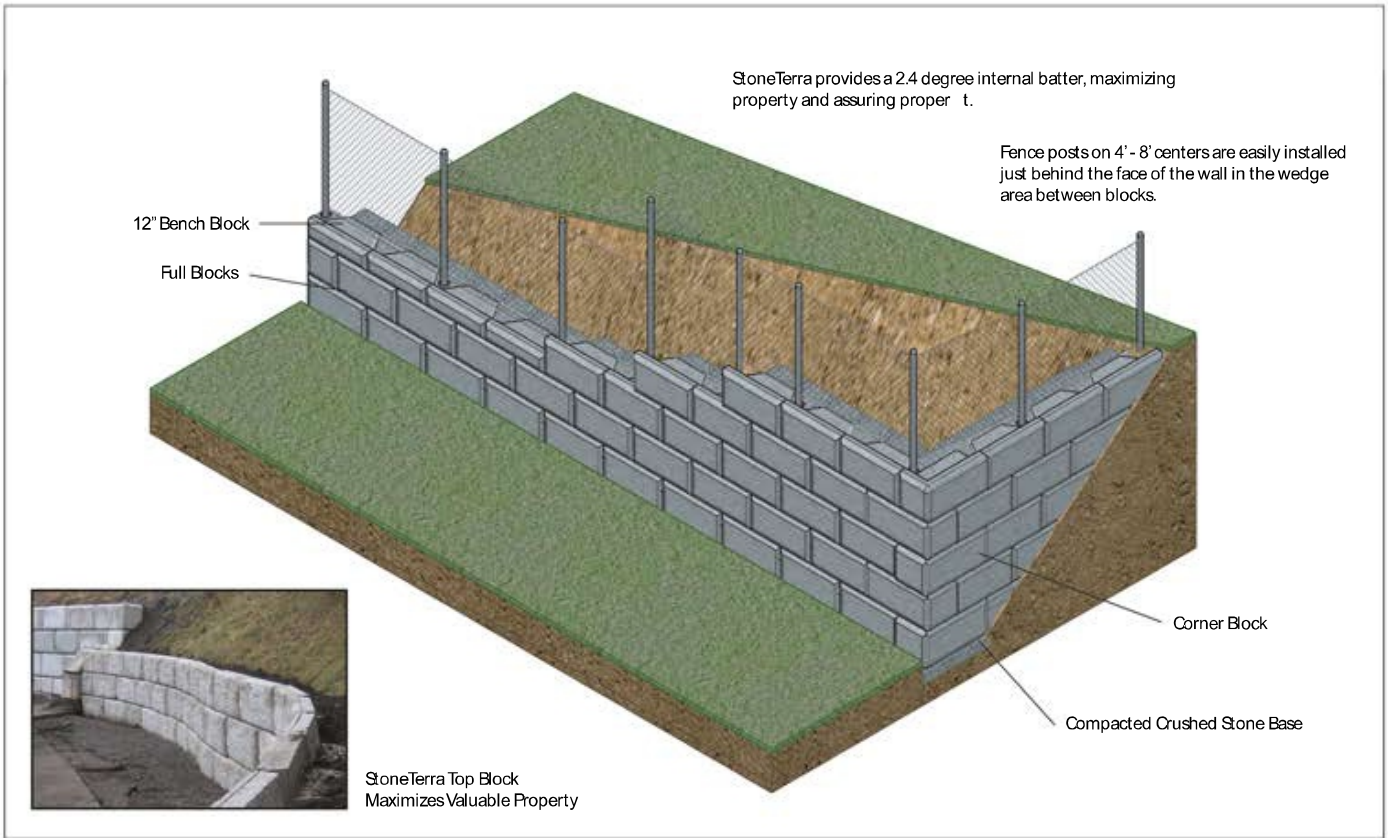
- Inter-locking
- 8 Sq. Ft. of Face per Block
- Low Cost

- Set with Small Equipment
- Build in Limited Space
- 8 Ft. Min. Radius of Curvature

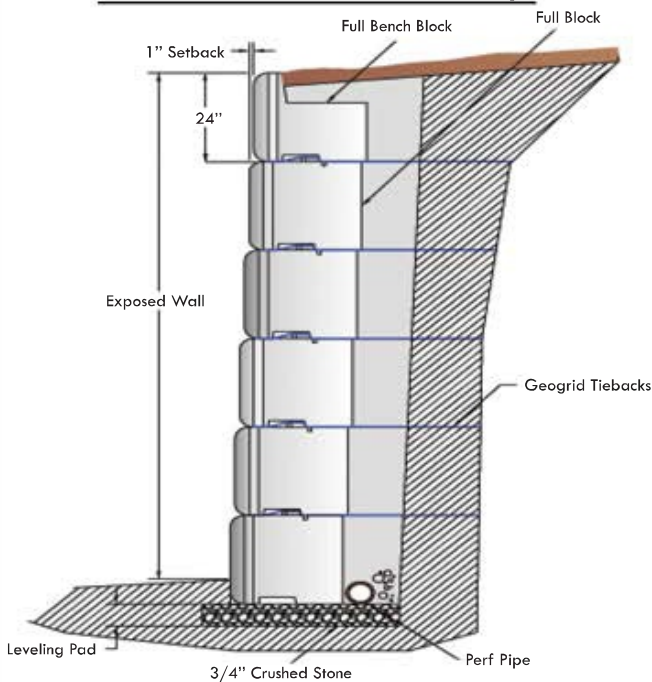
- Curved Walls
- Easy & Fast Installation
- Natural Architectural Finish



**MORE POSSIBILITIES - LESS EFFORT**  
[www.stoneterra.net](http://www.stoneterra.net)





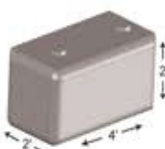





### Create Reinforced Walls (MSE) or Non-Reinforced Walls (Gravity)



Preliminary - block layouts to be approved by engineer

### Standard Shapes & Sizes

	<b>FULL</b> 1750 lbs 794 kg	<b>HALF</b> 905 lbs 411 kg	
	<b>FULL BENCH</b> 1375 lbs 623 kg	<b>HALF BENCH</b> 695 lbs 315 kg	
	<b>FULL CORNER</b> Right / Left Face 2300 lbs 1043 kg	<b>FULL BENCH CORNER</b> 1800 lbs 816 kg	
	<b>FULL 12"</b> 875 lbs 397 kg	<b>BENCH 12"</b> 660 lbs 300 kg	

\*Double sided or freestanding blocks available